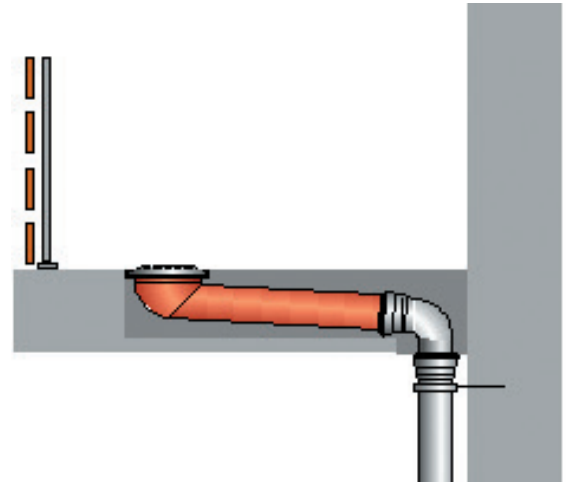


Specification sheet LX 1019

Balcony drainage system Series I and GF, for upper balconies

Main drainage	
Gravity flow	
Silent	
Discharge rate: 1,395 l/s	
Water height:	35 mm
Roof penetration:	120 mm
Diameter:	DN 50
LX-Number:	LX 1019
Weir height:	-
Drain:	ventilated
Downpipe:	ventilated
Downpipe height:	-
Drainage:	-
Flange form:	-



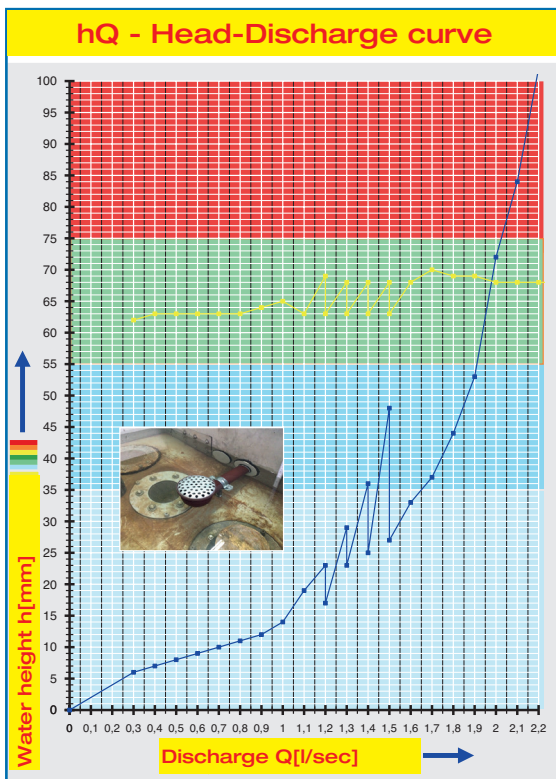
LX 1019 Piece list

1 x Art.-No. choose drain on page two!

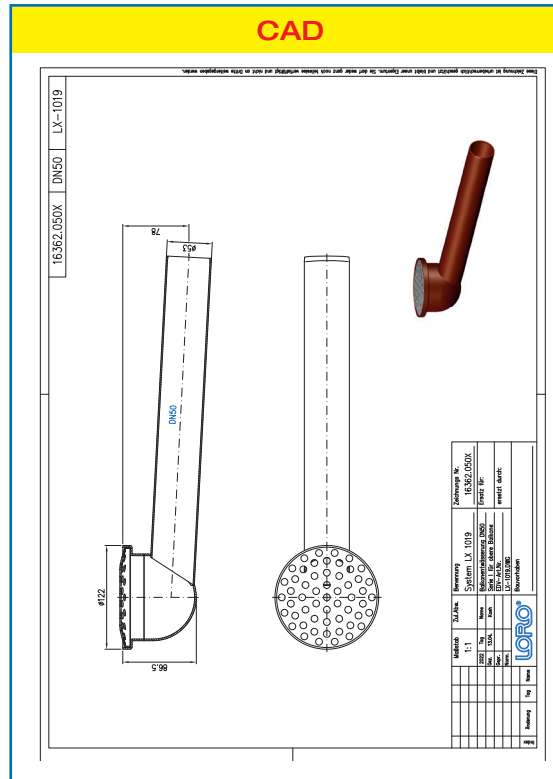
1 X Art.-No. 16191.070X, Strainer for upper balconies

1 x Art.-No. 01005.050X, LORO-X Pipe with one socket

1 x Art.-No. 00911.050X, LORO-X Sealing elements



Systempower



Systemshape

Water height	mm	5	10	15	20	25	30	35	40	45	50	55	60	65	70	75	80
Discharge	l/sec	-	0,7	1,2	1,12	1,27	1,35	1,39	1,46	1,48	1,87	1,92	1,94	1,96	1,99	2,02	2,06
Silent																	

with strainer for upper balconies

LX1019-12X

with dome,
Series I
Drain Art.-No.
for plate thickness from:

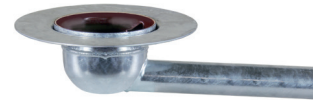
120 mm: Nr. 16362.050X



LX1019-12X

with supporting edge,
Series GF

Drain Art.-No. 16112.050X

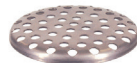


Accessories

Strainer

for upper balconies

quadratic Art.-No. 16197.000X round Nr. 16191.070X



Strainer support

quadratic Art.-No. 16190.070X round Art.-Nr. 16195.050X



Attachment
for height adjustment
30 mm - 60 mm
Art.-No. 16192.050X



Put off casing cover

Art.-No. 18100.050X

